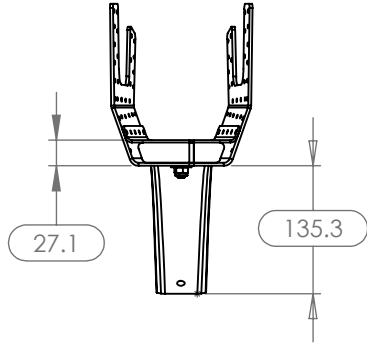
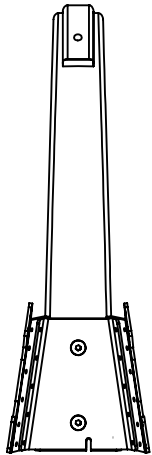


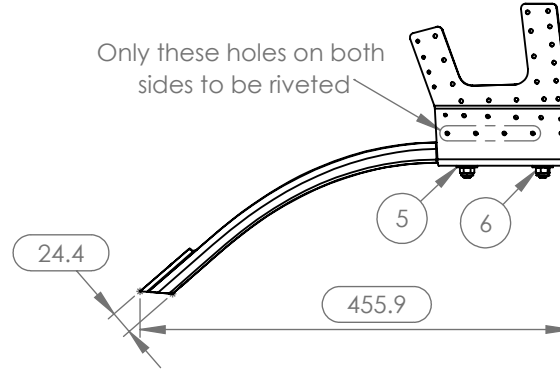
ITEM NO.	PART NUMBER	DESCRIPTION	QTY.
1	UN-BKT-007-C-D-1	Tailwheel Mount Bracket	1
2	UN-PLT-007-C-D-1	Tailwheel Mount Plate	1
3	UN-CMP-007-C-D-0	Tailwheel Composite Arm	1
4	HW-MTB-841-X-X-0	M8 x 41mm Countersunk Bolt	2
5	HW-MTW-086-X-X-0	M8 Penny Washer	2
6	HW-MTL-080-R-X-0	M8 Nyloc Locknut	2



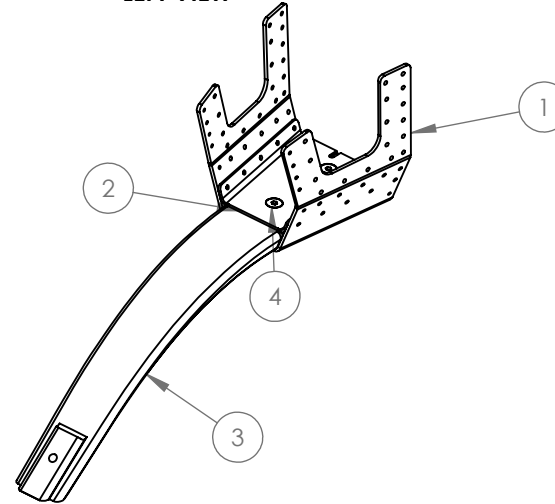
FRONT VIEW



TOP VIEW

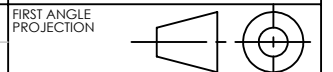


LEFT VIEW



ISOMETRIC ILLUSTRATION

**TOLERANCES**  
UNLESS OTHERWISE SPECIFIED:  
1. HOLE DIMENSIONS:  $\pm 0.1\text{mm}$   
2. FLAT PATTERN EDGES  $\pm 0.4\text{mm}$   
3. BENT PARTS:  $\pm 0.5\text{mm}$   
4. BENDING ANGLES:  $\pm 1^\circ$   
5. PIPE LENGTHS:  $\pm 0.5\text{mm}$



DISTRIBUTION LIST		DRAWING CHANGE	ISSUE	DATE	DESCRIPTION OF CHANGE
COMPOSITES					
MACHINING					
WELDING					
SHEETMETAL					
INSPECTION	X				

DRAWN: <b>ARMIN</b>	PART NUMBER: <b>UN-ATW-001-C-D-0</b>	Rev: <b>0</b>
DATE: <b>2016/01/08</b>	DESCRIPTION: <b>Composite Tailwheel Arm With Bracket</b>	
CHECKED:	DRAWING No: <b>UN-ATW-001-C-D-0-I-0</b>	RFC No: <b>912</b>
MATERIAL & THICKNESS [mm]: <b>N/A</b> <b>N/A</b>	Weight [g]: <b>1994.66</b>	
	SCALE: <b>1:8</b>	SHEET: <b>1 OF 1</b> A4